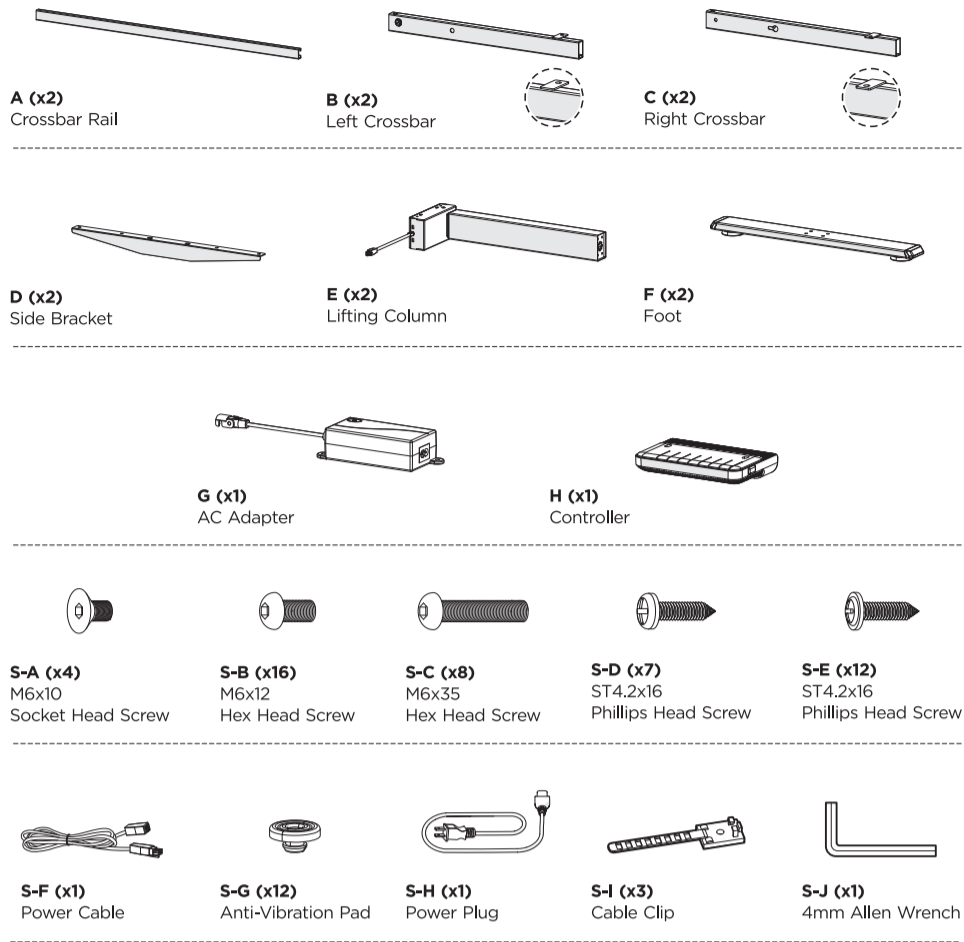


Checklist and Installation

Please check all of the components shown in the component checklist. If any of the components are missing or damaged, contact your point of purchase for a replacement.



What important specifications should know before installation?

Power Input
(100-240V)

Operation Temperature
(-5°C-+40°C)

Weight Capacity
100kg (220lbs)

What tools are needed to assemble the desk frame?

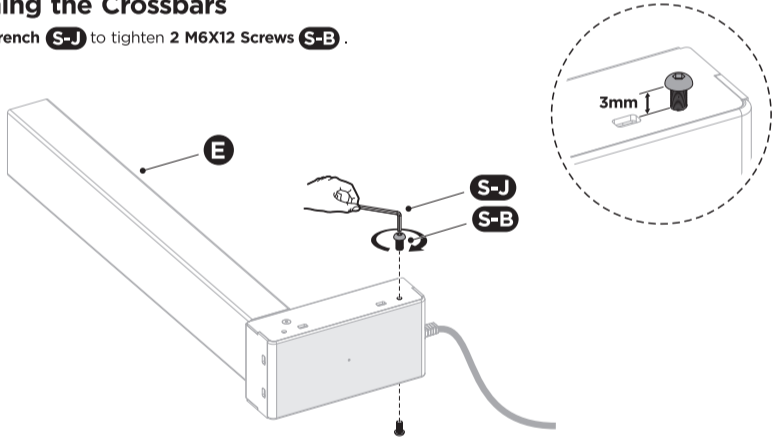
Bubble Level

Allen Wrench
(Included)

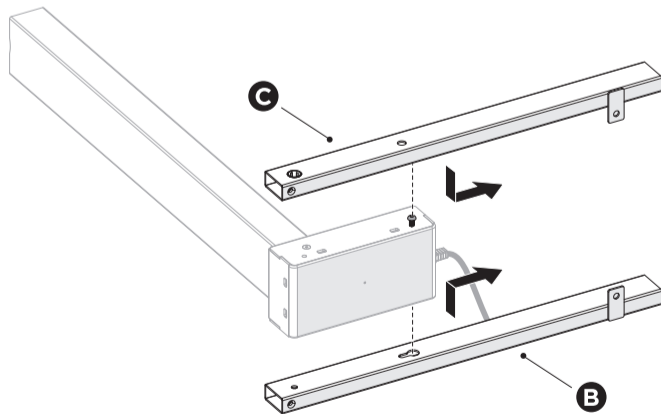
Drill

1. Attaching the Crossbars

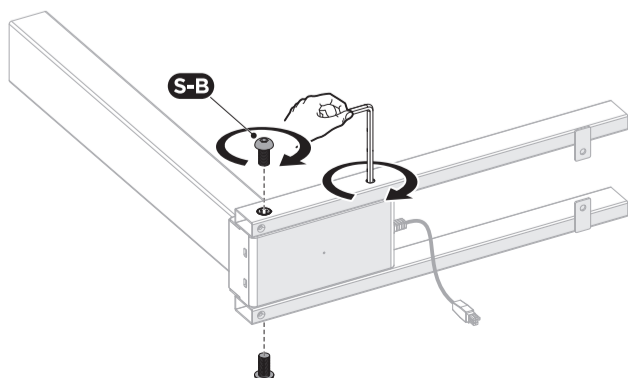
- Use Allen Wrench **S-J** to tighten 2 M6X12 Screws **S-B**.



- Attach the Left Crossbar **B** and the Right Crossbar **C** to the Lifting Column as shown below.

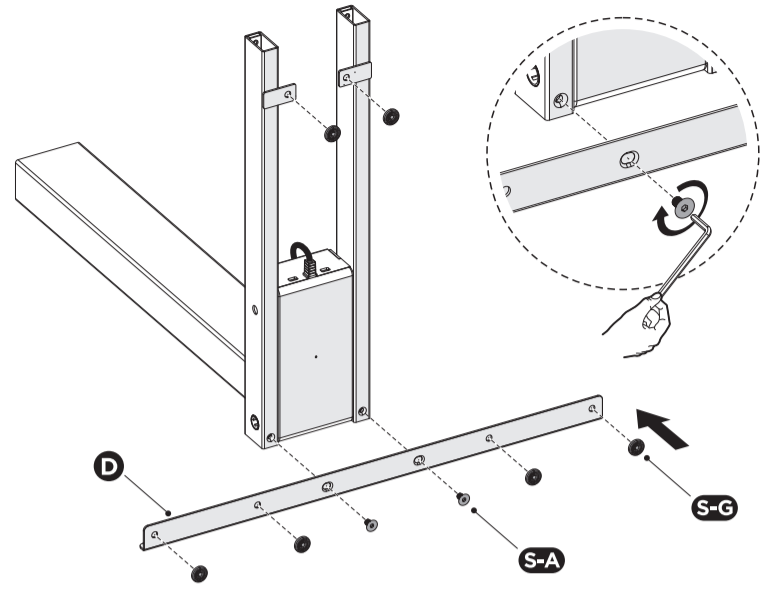


- Secure the crossbar using 2 M6X12 Screws **S-B** and tighten all the screws on the crossbar.
- Repeat the same process to attach the other two crossbars on the other side.



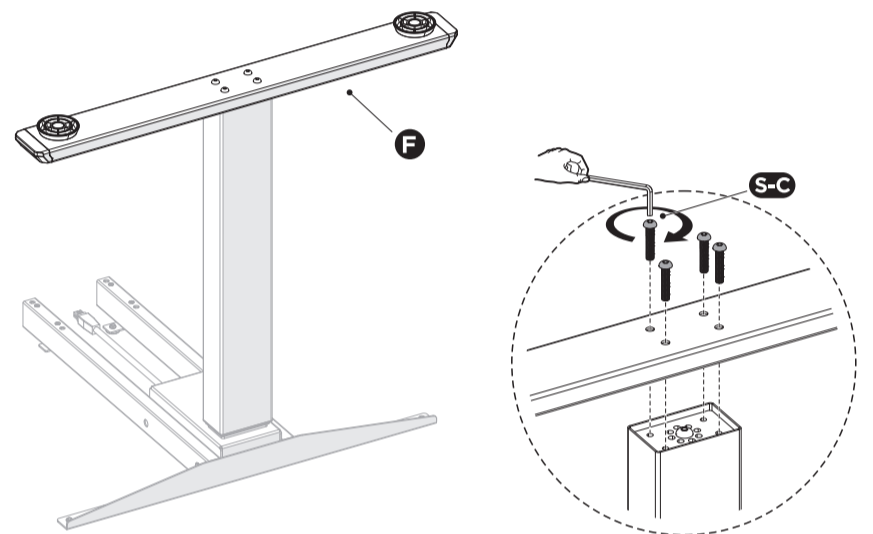
2. Attaching the Side Brackets

- Attach each Side Bracket **D** to the Lifting Column using 2 M6x10 Screws **S-A**.
- Attach 6 Anti-Vibration Pads **S-G** to the crossbars and Side Bracket **D** as shown below.
- Repeat the same process to attach the other side bracket.



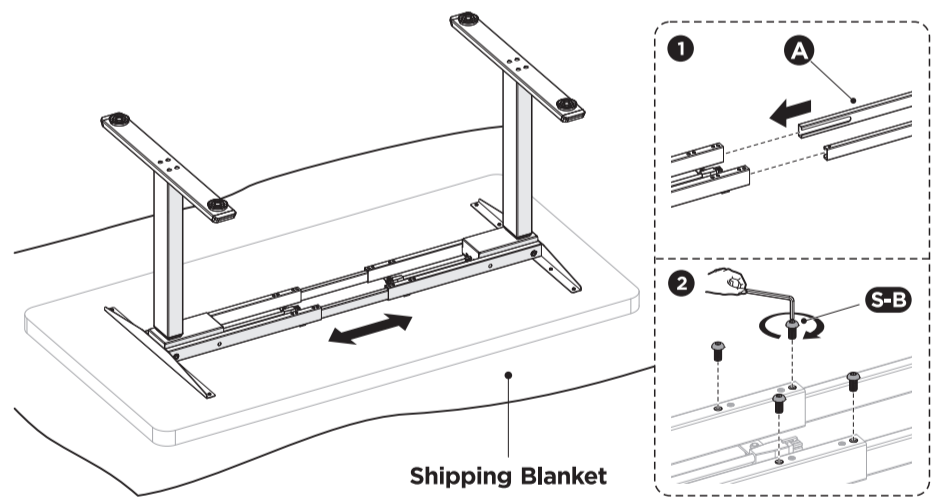
3. Attaching the Feet

- Attaching the Foot **F** to the Lifting Column using 4 M6x35 Screws **S-C**.
- Repeat the same process to attach the other foot.



4. Adjusting the Frame and Attaching the Crossbar Rail

- Carefully place the desktop (not included) upside down on the blanket/floor.
- Place the legs one on each side of the top as shown below.
- Adjust the crossbar to the size of the desktop. Ensure that the frame is placed in the center of the desktop.
- Attach the Crossbar Rails **A** as shown below.
- Secure the frame using 4 M6X12 Screws **S-B**.
- Tighten the screws on the crossbar.



5. Drilling to the Desktop

- Attaching the assembled desk frame to the desktop through the mounting holes found on the Side Brackets and Crossbars as shown in the illustration using 12 ST4.2x16 Screws **S-E**.

